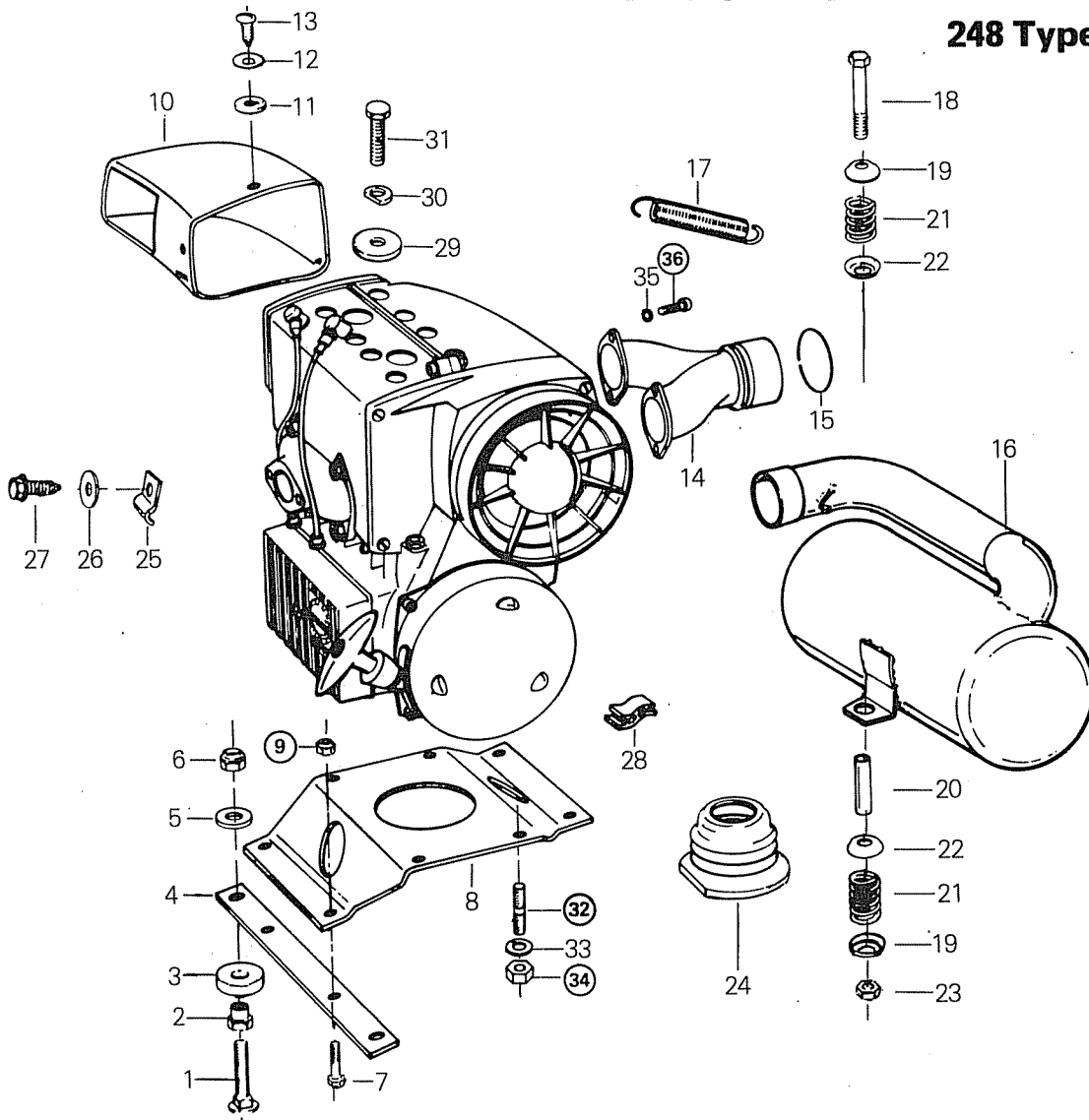


248-294 ENGINE TYPES

ENGINE SUPPORT AND MUFFLER

248 Type, Elan



- 1. Carriage bolt
- 2. Threaded spacer bushing
- 3. Rubber insulator
- 4. Engine bracket
- 5. Washer
- 6. Nut
- 7. Bolt
- 8. Engine support
- 9. Nut
- 10. Air duct
- 11. Rubber spacer
- 12. Washer

- 13. Screw
- 14. Exhaust manifold
- 15. Sealing ring
- 16. Muffler
- 17. Spring
- 18. Bolt
- 19. Cup
- 20. Bushing
- 21. Spring
- 22. Cup
- 23. Nut
- 24. Exhaust grommet

- 25. Clip
- 26. Washer
- 27. Screw
- 28. Plug
- 29. Rubber washer
- 30. Washer
- 31. Screw
- 32. Stud
- 33. Lockwasher
- 34. Nut
- 35. Lockwasher
- 36. Allen screw