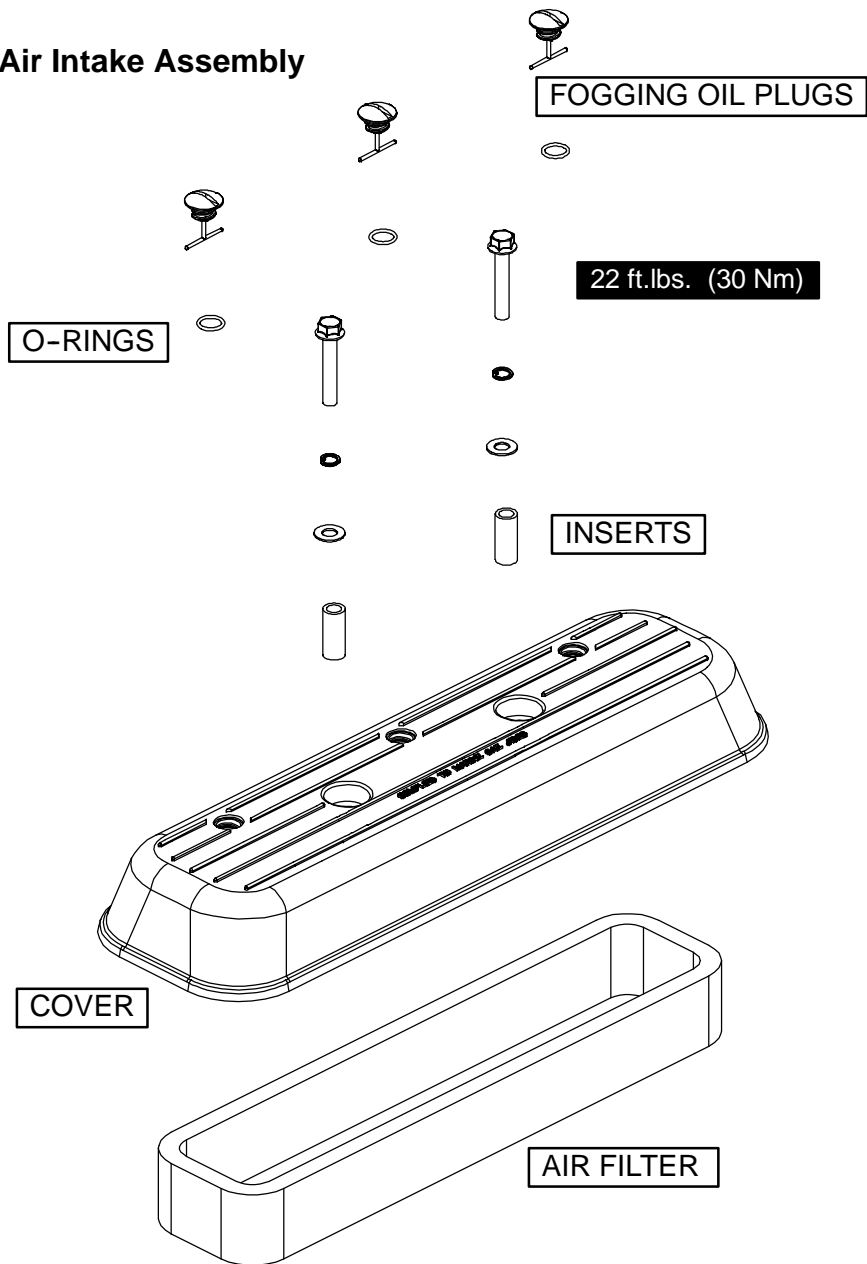




W120HO-DFI Air Intake Assembly



Air Intake Manifold Assembly Notes

Air Intake Cover Fastener Torque: 22 ft. lbs. (30 Nm) Apply Loctite™ 242 to threads.

Verify fogging oil plugs are installed tightly prior to vehicle operation.