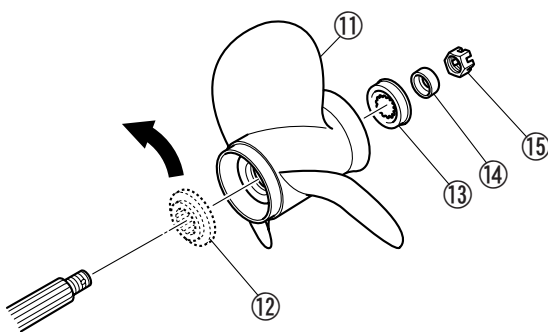




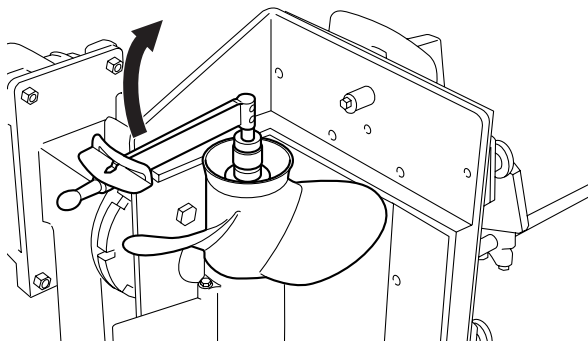
Forward gear backlash:
0.18–0.66 mm (0.0071–0.0260 in)

TIP: _____
Adjust the shim thicknesses if the forward gear backlash is out of specification.

17. Remove the special service tools.
18. Apply a load to the reverse gear by installing the propeller (11) (without the spacer (12)), the washers (13), (14), and the propeller nut (15).



19. Tighten the propeller nut (15) to the specified torque.



Propeller nut (15) (shimming):
10 N·m (1.0 kgf·m, 7.4 ft·lb)

20. To measure the reverse gear backlash, proceed to the step 8–step 15.
21. Check that the reverse gear backlash average is within specification.

Reverse gear backlash:
0.75–1.23 mm (0.0295–0.0484 in)

TIP: _____
Adjust the shim thicknesses if the reverse gear backlash is out of specification.

22. Remove the special service tools, and then install the water pump assembly. See “Installing the water pump” (8-19).