

LUBRICATION POINTS

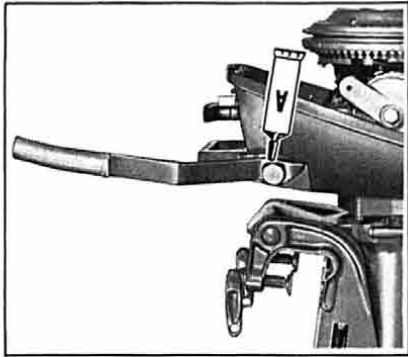


Figure 2-3. Steering Handle Pivot

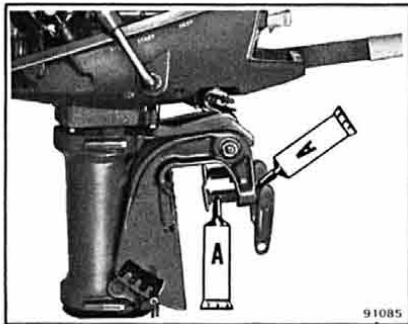


Figure 2-4. Clamp Screws

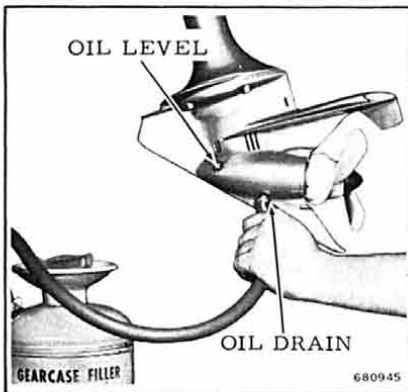


Figure 2-5. Weedless Gearcase

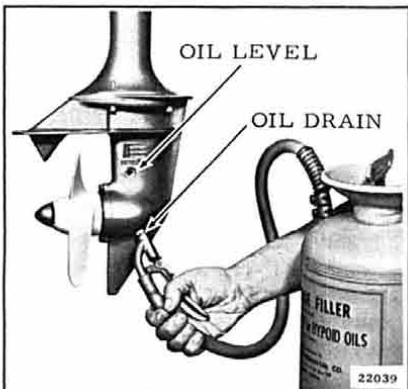


Figure 2-6. Standard Gearcase

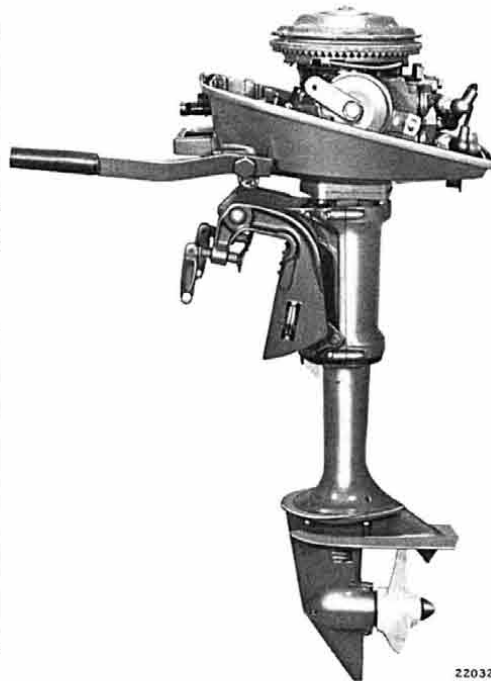


Figure 2-1. Port Side, Standard Gearcase

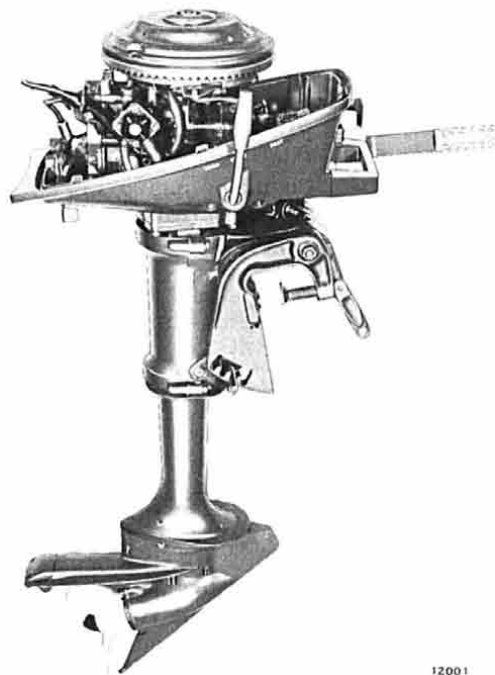


Figure 2-2. Starboard Side, Weedless Gearcase

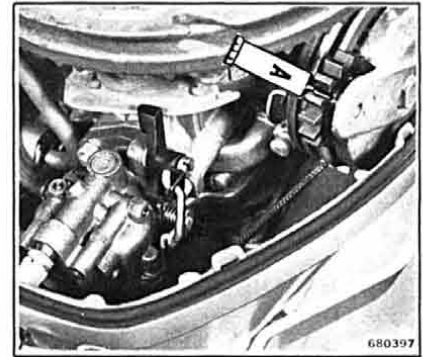


Figure 2-7. Starter Pinion

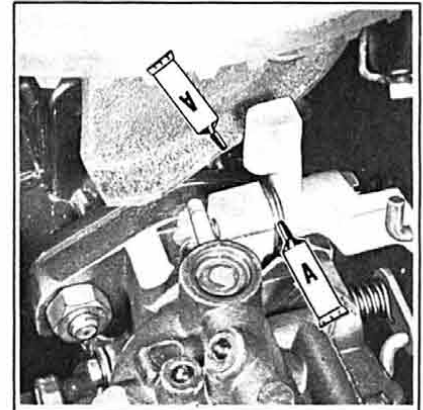


Figure 2-8. Cam Follower

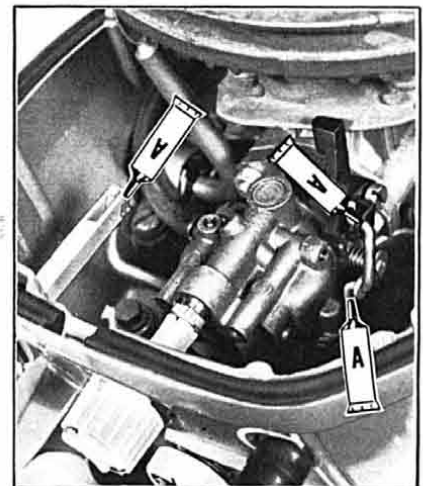


Figure 2-9. Carburetor Linkage and Choke Rod

TYPES OF LUBRICANT

OMC TYPE "A"	OMC TYPE "C"	GREASE GUN OMC TYPE "A"