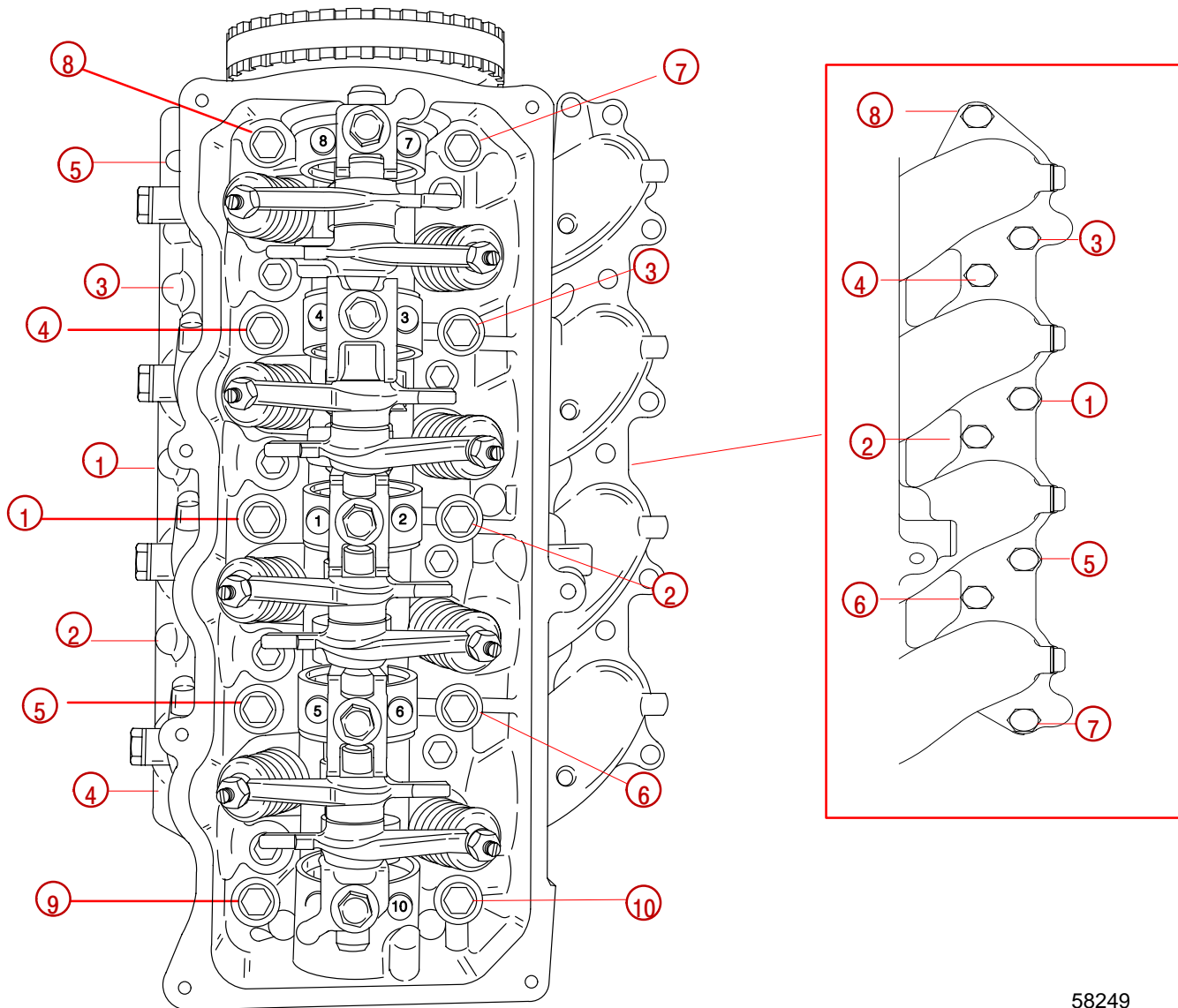




Torque Sequence

Torque center bolts in sequence and in two steps, than torque the Cylinder Head and carburetor flange bolts.



58249