

Fig. 8-210



AF146

- Place the brake cable onto the brake cable bracket and secure with the upper flange nut.

**NOTE:** The flange nuts should be centered on the brake cable end.

Fig. 8-211



AF145

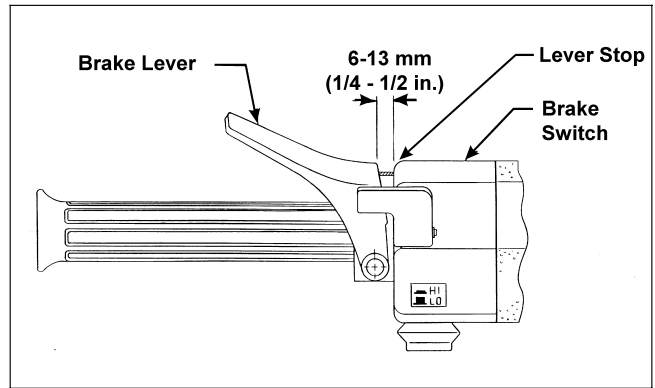
### ADJUSTING BRAKE LEVER TRAVEL

#### ! WARNING

**Make all brake lever travel adjustments with the adjusting bolt only!**

- Rotate the brake disc alternately forward and backward while slowly compressing the brake lever.
- At the point where the disc is locked, check the distance between the brake lever and the lever stop. The distance must be within a range of 6-13 mm (1/4-1/2 in.).

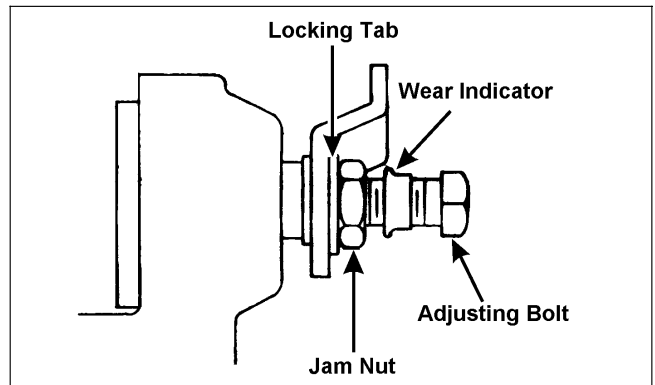
Fig. 8-212



0727-451

- To decrease brake lever travel (set up the brake), bend the locking tab back and loosen the adjusting bolt jam nut. Tighten the adjusting bolt and check brake lever travel distance periodically until correct travel distance is attained.

Fig. 8-213



0726-753

Fig. 8-214



B494

#### ! CAUTION

**Do not attempt to adjust the brake with the flange nuts on the brake cable bracket. Incorrect brake adjustment may occur causing possible brake failure.**