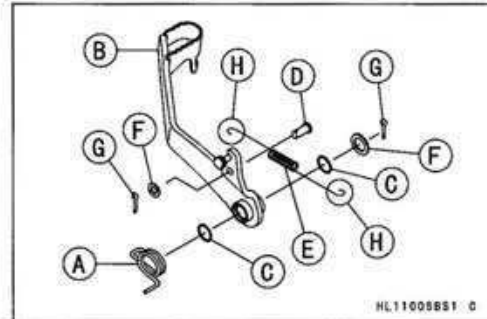
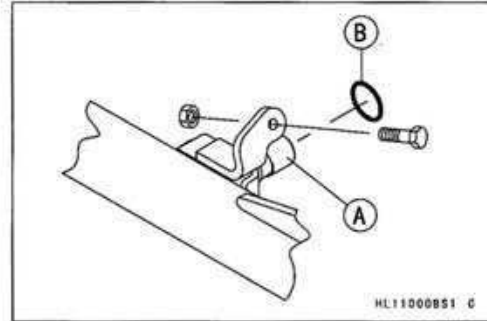


## Rear Brake Lever, Pedal and Cables

### Brake Pedal Installation

- Apply grease:
  - Brake Pedal Pivot [A]
  - O-ring [B]
- Install:
  - Spring [A]
  - Brake Pedal [B]
- Apply grease:
  - O-ring [C]
- Install:
  - Brake Cable Joint and Pin [D]
  - Brake Switch Spring [E]
  - Washers [F]
- Replace the cotter pins [G] with new ones.
- Bend both side hooks [H] of switch spring after installing the spring.
- Adjust the brake pedal position (see Brake Pedal Position Adjustment).



### Brake Cable Removal

- Remove:
  - Right Rear Flap (see Rear Flap Removal in Frame chapter)
- Unscrew the adjusters [A] at the rear ends of the cables, and pull the cables out of the joints [B] and cable mounts [C].
- Loosen the knurled locknut [A] at the rear brake lever and screw in the adjuster [B].
- Line up the slots [C] in the brake lever, knurled locknut, and adjuster, and then free the cable from the lever [D].
- Remove the brake lever cable from the frame.

