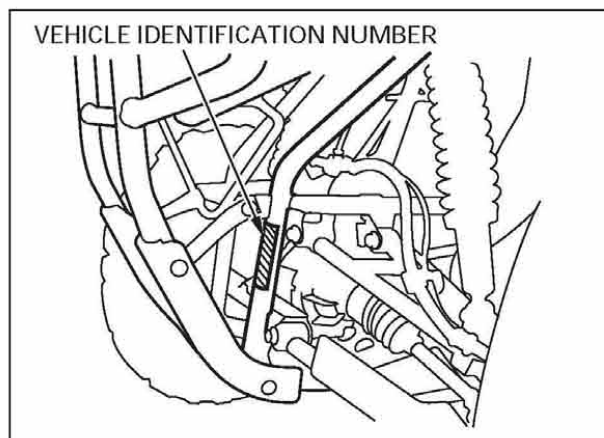
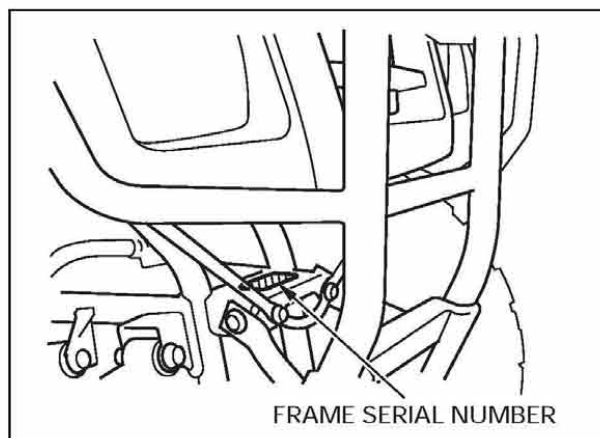


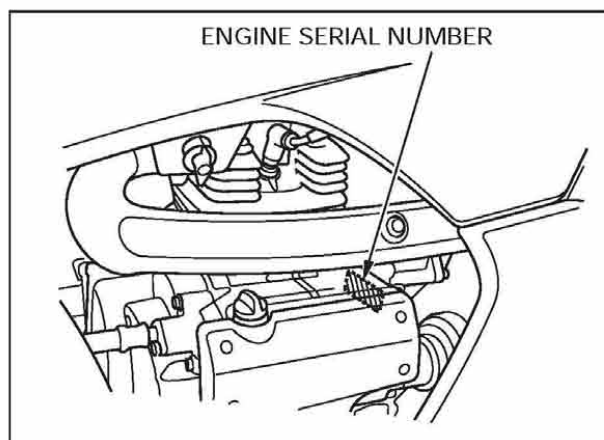
GENERAL INFORMATION



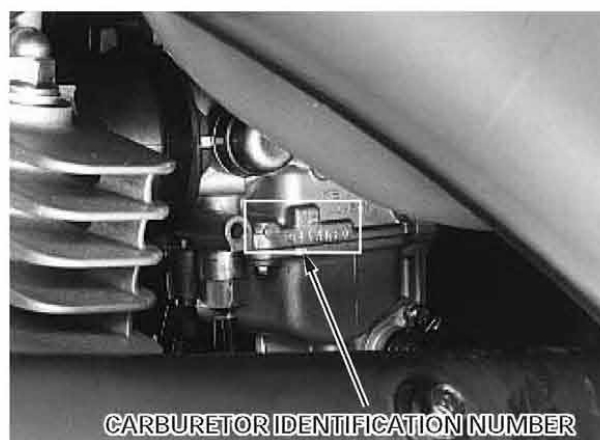
The Vehicle Identification Number (VIN) is located on the left side frame down tube.



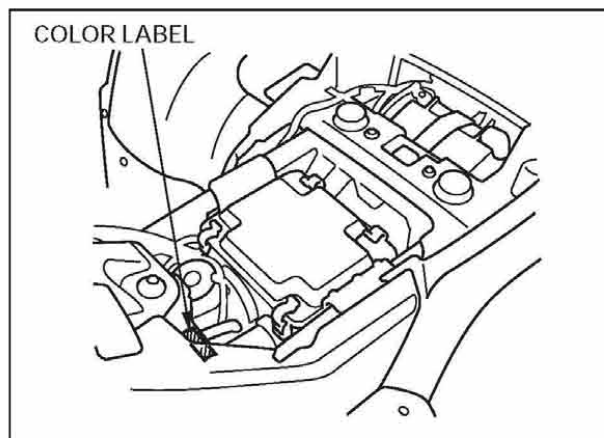
The frame serial number is stamped on the front side of the frame.



The engine serial number is stamped on the left side of the rear crankcase.



The carburetor identification number is stamped on the left side of the carburetor body.



The color label is attached on the frame crossmember under the seat. When ordering color-coded parts, always specify the designated color code.