

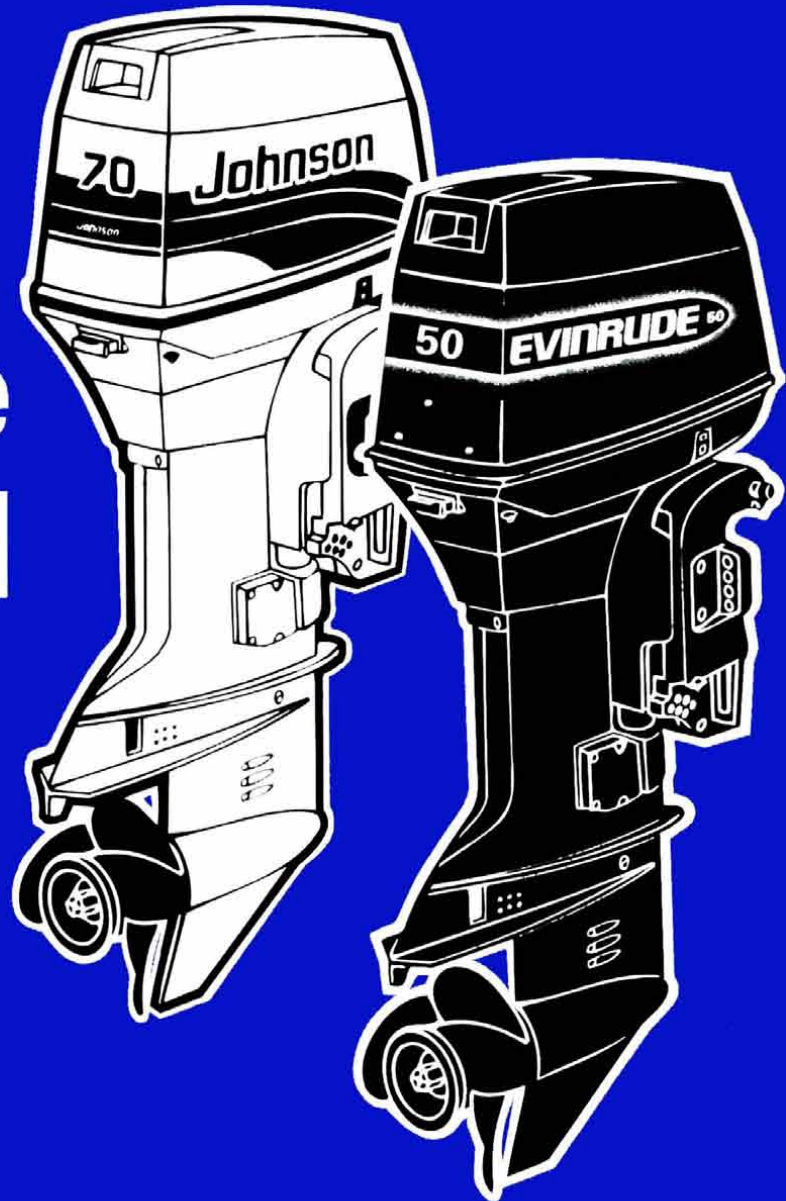


# Johnson<sup>®</sup>

## OUTBOARDS

# Service Manual

50 thru 70  
3-Cylinder



# EVINRUDE<sup>®</sup>

## OUTBOARDS